

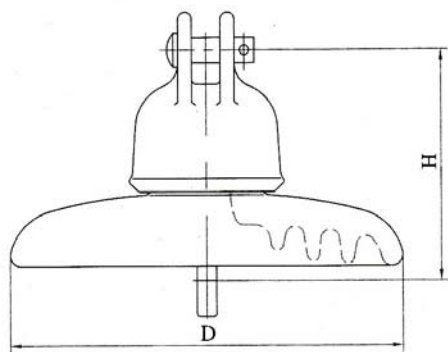


普通型悬式绝缘子

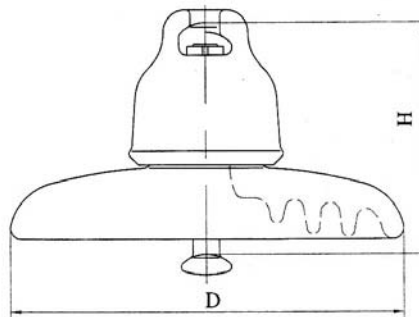
SUSPENSION INSULATORS

(IEC AS CLEVIS TYPE)

(IEC AS BALL&SOCKET TYPE)



XP-70C



XP-70 XP-120
XP-80 XP-160

IEC Class	U70C	U70BL	U80BL	U120BS	U120BL	U160BS
Type	XP-70C	XP-70	XP-80	XP-120	XP-120	XP-160
Porcelain Disc Diameter mm	254	254	254	254	280	280
Unit Spacing,H,mm	146	146	146	146	170	146
Standard Coupling to IEC 120	16mmC	16mmA or B	16mmA or B	16mmA or B	16mmA or B	20
Creepage Distance,mm	292	292	292	292	292	305
Combined M & E Strength,KN	70	70	80	120	120	160
Routine Test Load,KN	28	28	32	48	48	64
Power Frequency	Dry,KV	78	78	78	78	80
	Flashover Voltage Wet,KV	45	45	45	45	47
50% Impulse	Pos,KV	120	120	120	120	125
	Flashover Voltage Neg,KV	125	125	125	125	130
Power Frequency	Dry,KV	70	70	70	70	75
	Withstand Voltage Wet,KV	40	40	40	40	45
Impulse Withstand Voltage,KV	110	110	110	110	110	115
Power Frequency Puncture Voltage,KV	110	110	110	110	110	110
Net Weight,Approx.,kg	4.6	4.6	4.6	6	6	7.5

NOTE:

1. **Standard:** comply with the IEC and AS Standards, IEC Pub .383, AS2947

2. **Colour:** The glaze colors of the insulators are brown or light gray

3. **The specified** suspension insulators differing in diameter, unit spacing and creepage distance can be provided. In addition, these insulators can be provided with zinc sleeve pins.

Address: No.283, Xiaoshan Road, Economic & Technical Development Zone, Qingdao

Tel: +86-532-80986696

FAX: +86-532-80986697

Web: www.cosinelectric.com

E-mail: info@cosinelectric.com