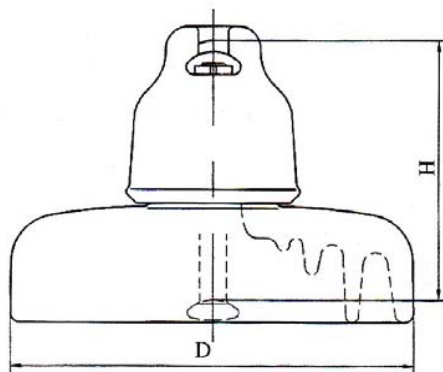


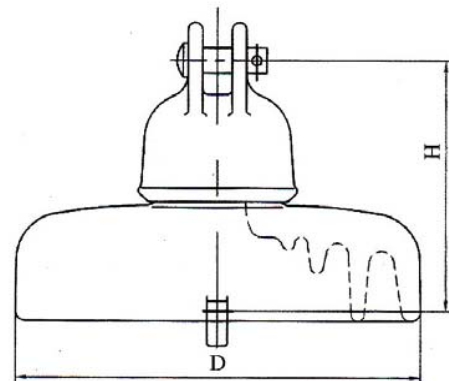


钟罩防污悬式绝缘子

**SUSPENSION INSULATORS ANTI-POLLUTION TYPE  
(with IEC coupling)**



XHP-80 XHP-100  
XHP-120



XHP-80C

Type	XHP-80	XHP-80C	XHP-100	XHP-120
Porcelain Disc Diameter, D, mm	254	254	254	254
Unit Spacing, H, mm	146	146	146	146
Standard Coupling to IEC 120 & 47	16mmA or B	16mm C	16mmA or B	16mmA or B
Creepage Distance, mm	432	432	432	432
Combined M & E Strength, KN	80	80	100	120
Routine Test Load, KN	32	32	40	48
Power Frequency	Dry, KV	90	90	90
Flashover Voltage	Wet, KV	50	50	50
Power Frequency	Dry, KV	80	80	80
Withstand Voltage	Wet, KV	45	45	45
50% Impulse Flashover Voltage, KV	125	125	125	125
Impulse Withstand Voltage, KV	115	115	115	115
Power Frequency Puncture Voltage, KV	120	120	120	120
Net Weight, Approx., kg	6.5	6.8	7.5	7.8

**NOTE:**

**1. Advantage:** With a large protective creepage distance, the following anti-pollution type disc suspension insulators are more suitable for operation near the coast, on high polluted areas. They are designed with deep grooves which increase the protected creepage and restrain power arc occurrence.

**2. Colour:** Brown or light gray is standard glaze color for all types.

**3. About Zinc-sleeve:** According to special requirements, these insulators can be provided with Zinc-sleeve pins.